


# Surface Mount RF Switch CISPxx Series

 Centron Industries, Inc.



CISPST1GM

## Features

- Wideband, 10MHz to 1 GHz
- Fast Switching Speed
- Low Insertion Loss and High Isolation

## Applications

- Receiver Antenna Switching
- Pass Band Selection

## Maximum Ratings

- Operating Temperature -40°C to 85°C
- Storage Temperature -55°C to 100°C
- Control Voltage High +3 ~ +5Vdc  
Low -10 ~ -30Vdc

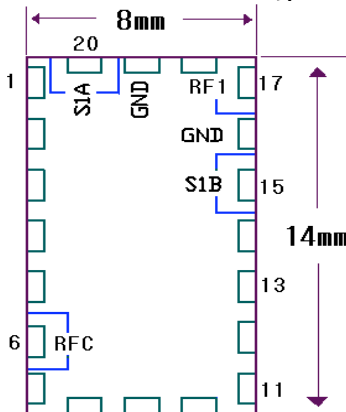
## Specification of Models

Part No.	Specification						
	Description	Frequency (GHz)	Insert. Loss (dB)	VSWR (Max : 1)	Isolation (dB)	Ave. Power (W)	Switching Speed (μs)
CISPST1GM	SPST	0.01 ~ 1.0	0.2	1.5	60	2	1
CISPD1GM	SPDT	0.01 ~ 1.0	0.2	1.5	60	2	1
CISP3T1GM	SP3T	0.01 ~ 1.0	0.3	1.7	50	2	1
CISP4T1GM	SP4T	0.01 ~ 1.0	0.3	1.7	50	2	1
CISP5T1GM	SP5T	0.01 ~ 1.0	0.5	1.8	45	2	1
CISP6T1GM	SP6T	0.01 ~ 1.0	0.5	2	45	2	1

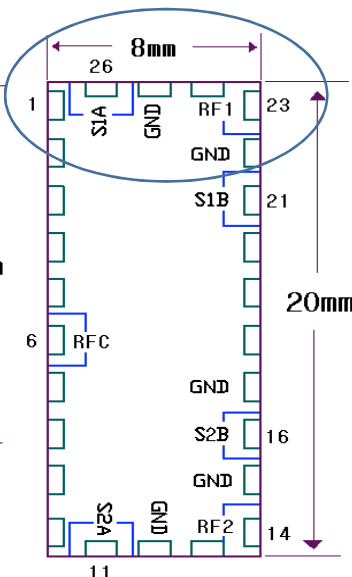
\*Custom RF switch design available.

## Functional and Dimension

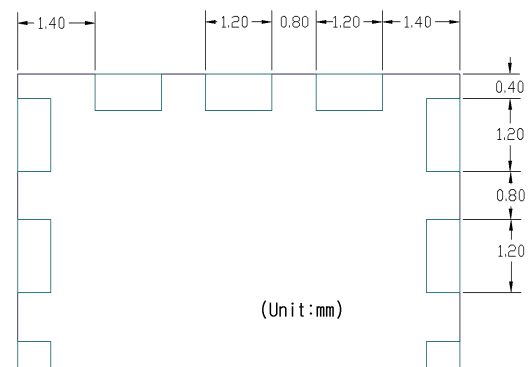
### A. Outline Drawing



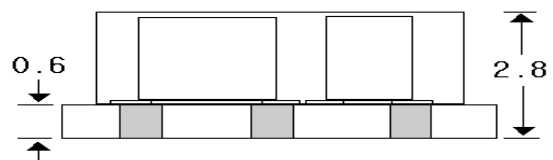
[Pic 1] CISPST1GM



[Pic 2] CISPD1GM



[Pic 3] Pin Dimension



[Pic 4] Thickness of CISPxx Series

Physical Dimensions  
(Top view)

## B. Control Logic

Control Port	RF Output
	RF1
S1A	H
S1B	L

[Table 1] RF Output select of CISPST1GM

Control Port	RF Output	
	RF1	RF2
S1A	H	L
S1B	L	H
S2A	L	H
S2B	H	L

[Table 2] RF Output select of CISPDT1GM

## C. Pin Connections

Pin No	Pin Name	Function
6	RFC	RF Input, 0.01 ~ 1 GHz
17	RF1	RF Output 1
20	S1A	Control RF Output 1
15	S1B	Control RF Output 1
All Other Pin	GND	Analog Ground

[Table 3] Pin Connection of CISPST1GM

Pin No	Pin Name	Function
6	RFC	RF Input, 0.01 ~ 1 GHz
23	RF1	RF Output 1
14	RF2	RF Output 2
26	S1A	Control RF Output 1
21	S1B	Control RF Output 1
11	S2A	Control RF Output 2
16	S2B	Control RF Output 2
All Other Pin	GND	Analog Ground

[Table 4] Pin Connection of CISPDT1GM

## D. Product Image Specification



Mpdel : CISPST1GM  
Size : 14 x 8 x 2.8



Mpdel : CISPDT1GM  
Size : 20 x 8 x 2.8